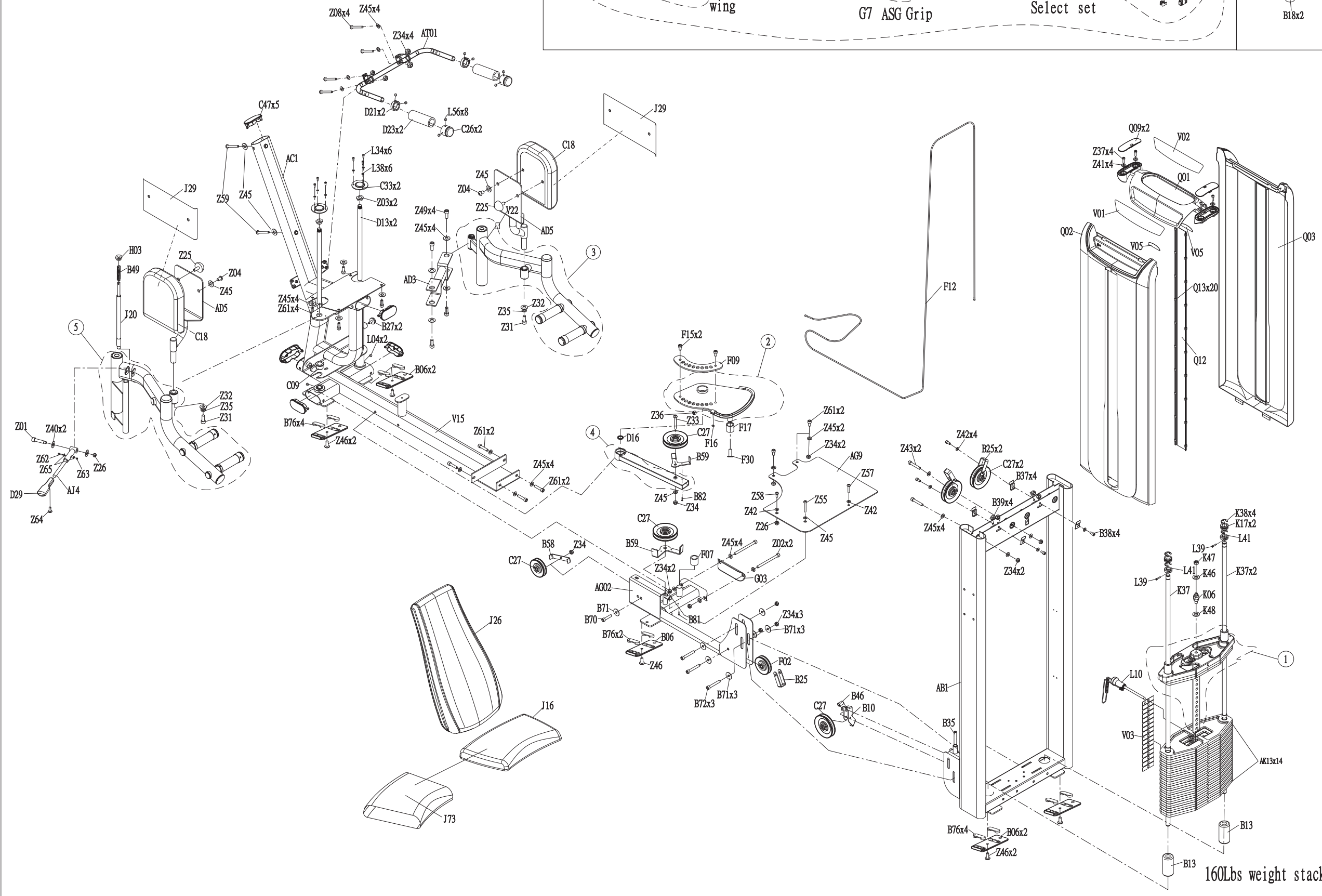
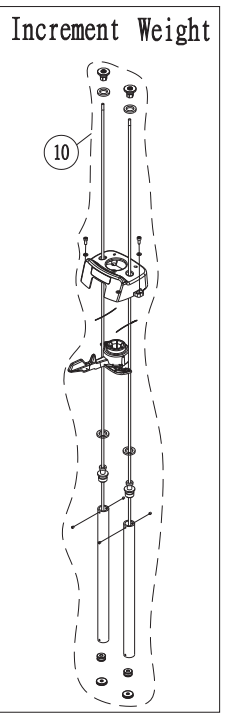
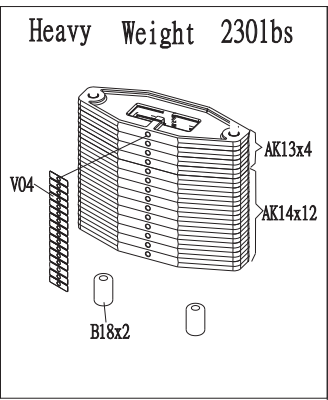
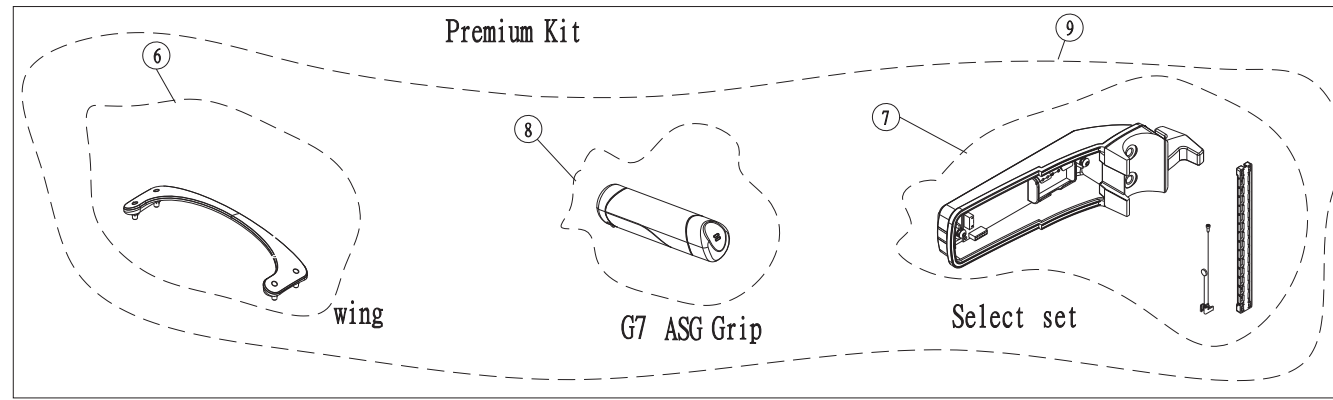


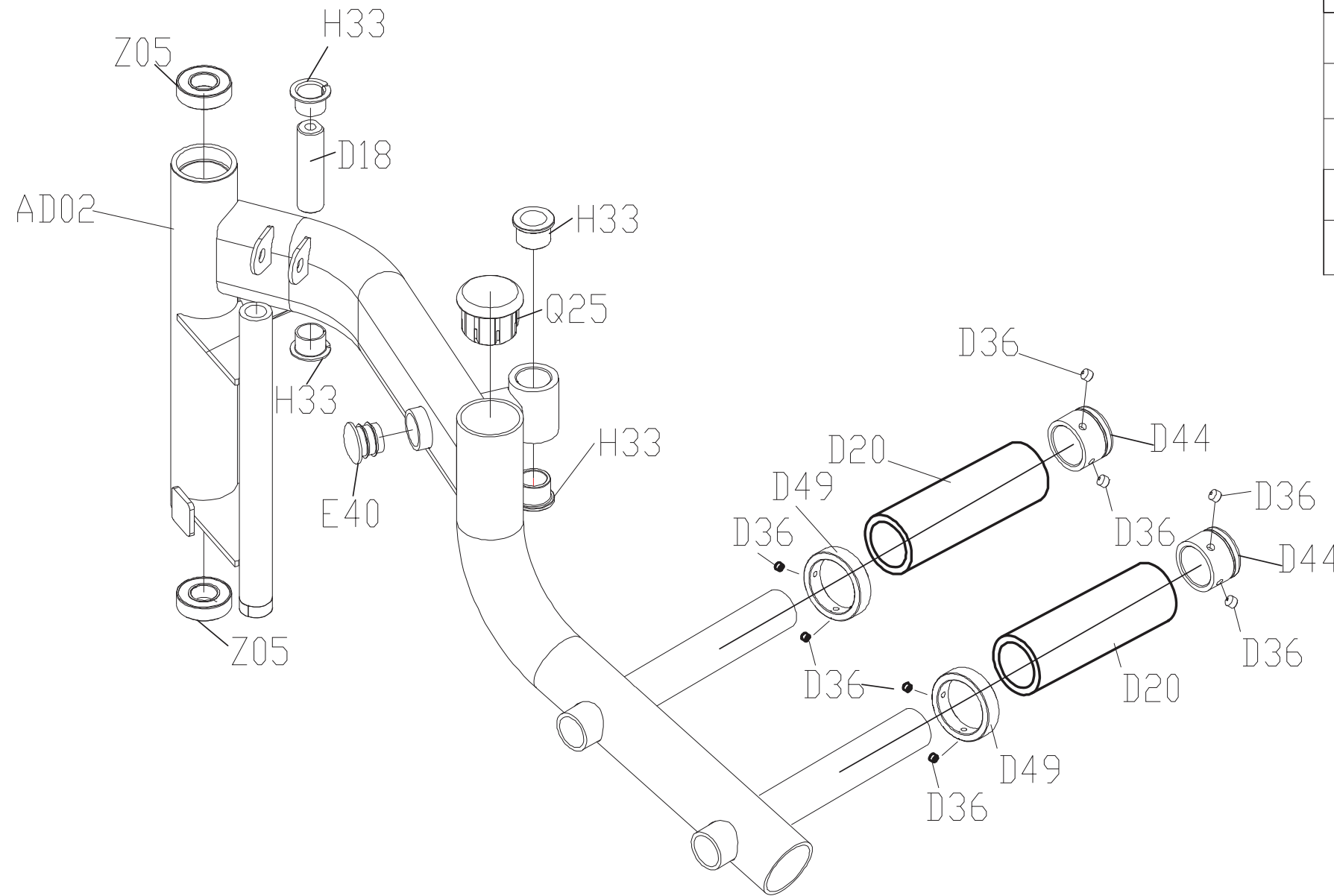
DRAWING NO	PVSGM69-KM		
PART NAME	HIP MACHINE		
PART NO	MGM0403-00	REV	A
APPROVE	wangtao	DATE	2021.08.12



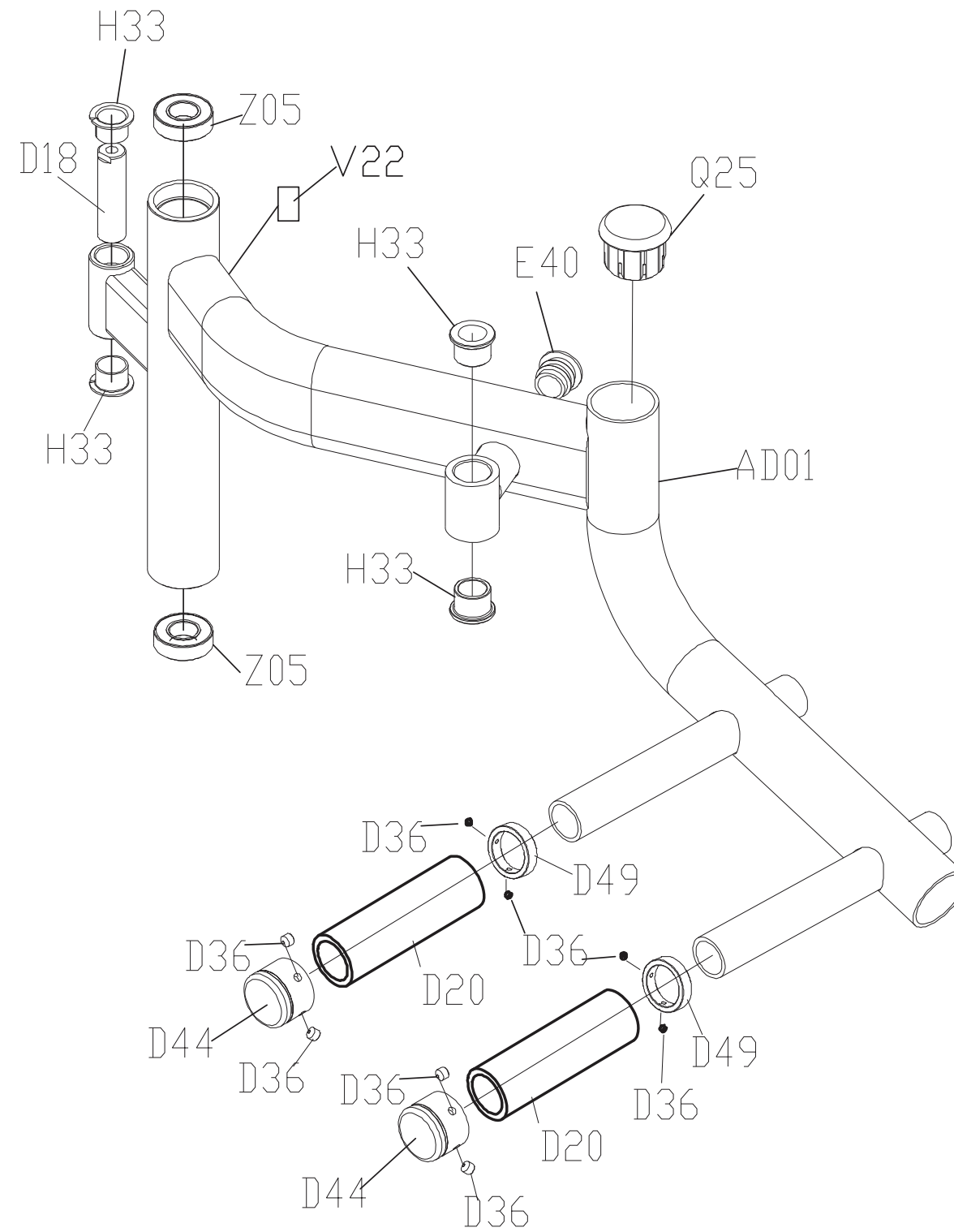
160Lbs weight stack

DRAWING NO			
PART NAME	Pedal Arm set;SA;R;GM69		
PART NO	1000228375	REV	B
APPROVE	Taoyongchun	DATE	02/28/18

Coulour	Part no.
Default	1000228375
Iced Sliver	1000419272
Platinum	1000419273
Polarized Titanium	1000419274
Lace White	1000419275
Pearl White	1000419276
Black Matte	1000419277
Black Glossy	1000419278

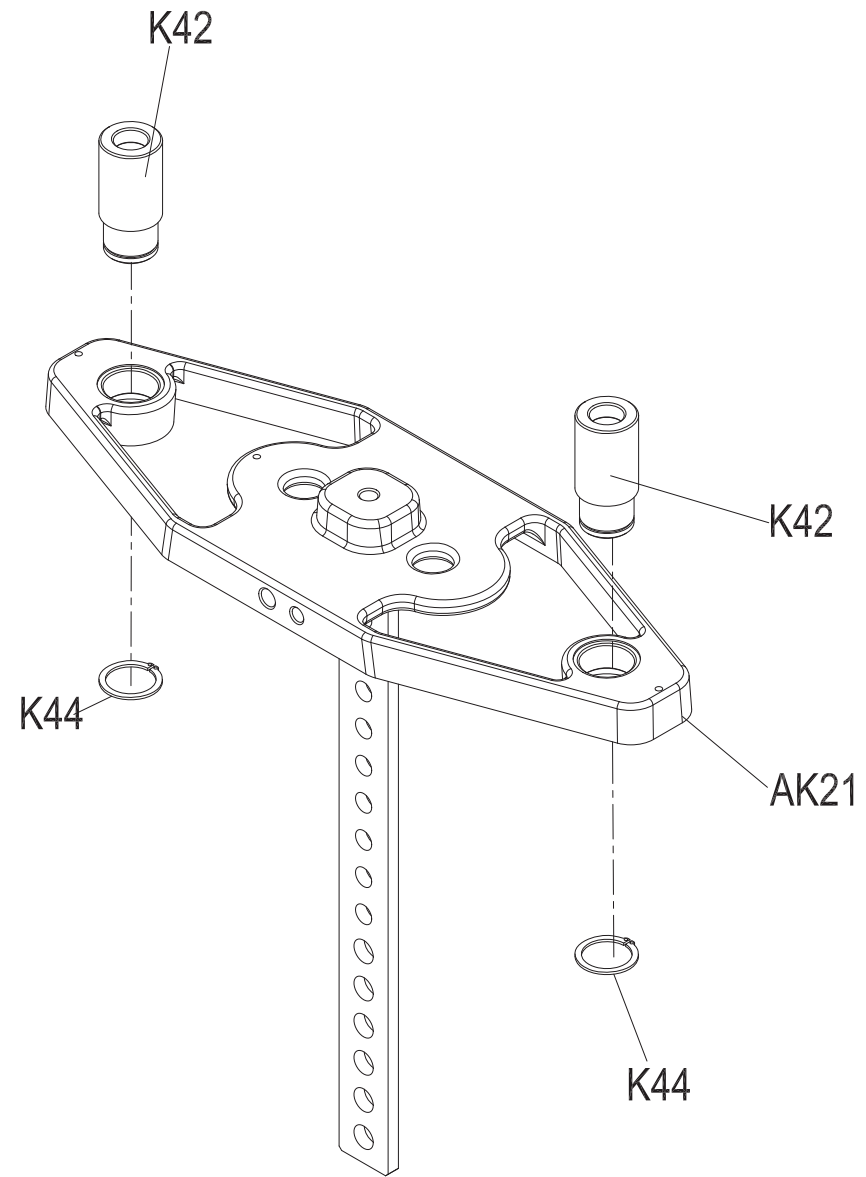


DRAWING NO			
PART NAME	Pedal Arm set;SA;L;GM69		
PART NO	1000228374	REV	B
APPROVE	Taoyongchun	DATE	02/28/18

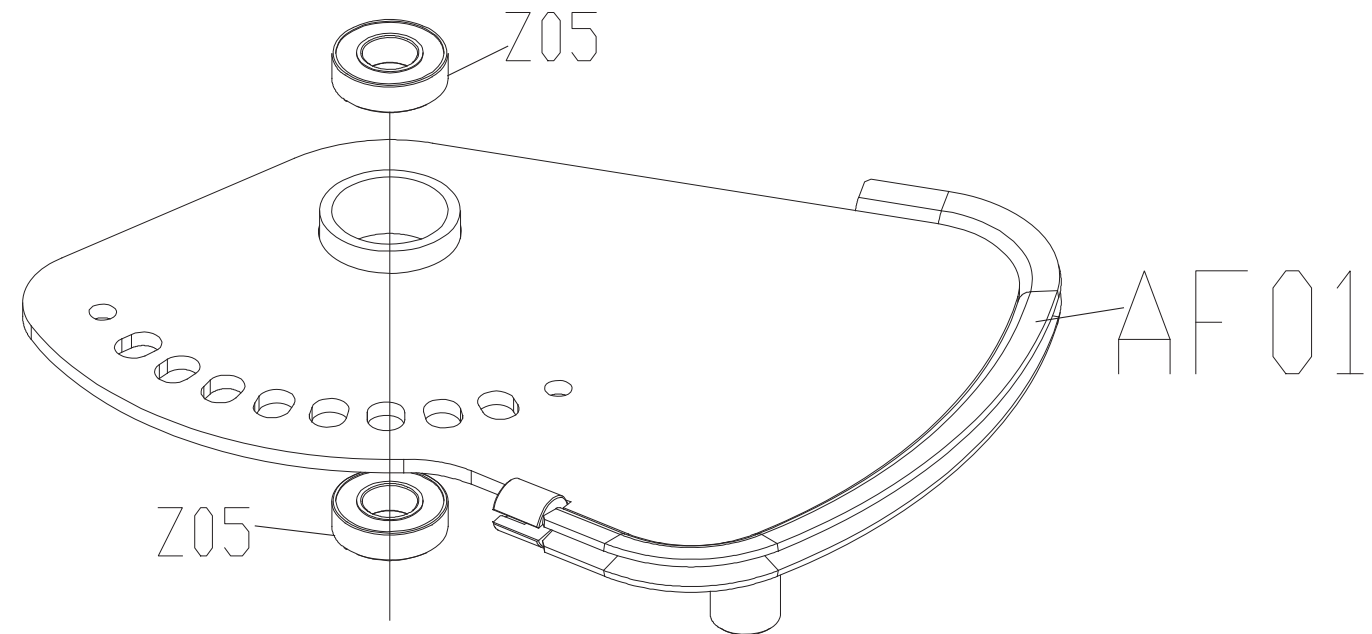


Coulour	Part no.
Default	1000228374
Iced Sliver	1000419279
Platinum	1000419280
Polarized Titanium	1000419281
Lace White	1000419282
Pearl White	1000419283
Black Matte	1000419284
Black Glossy	1000419285

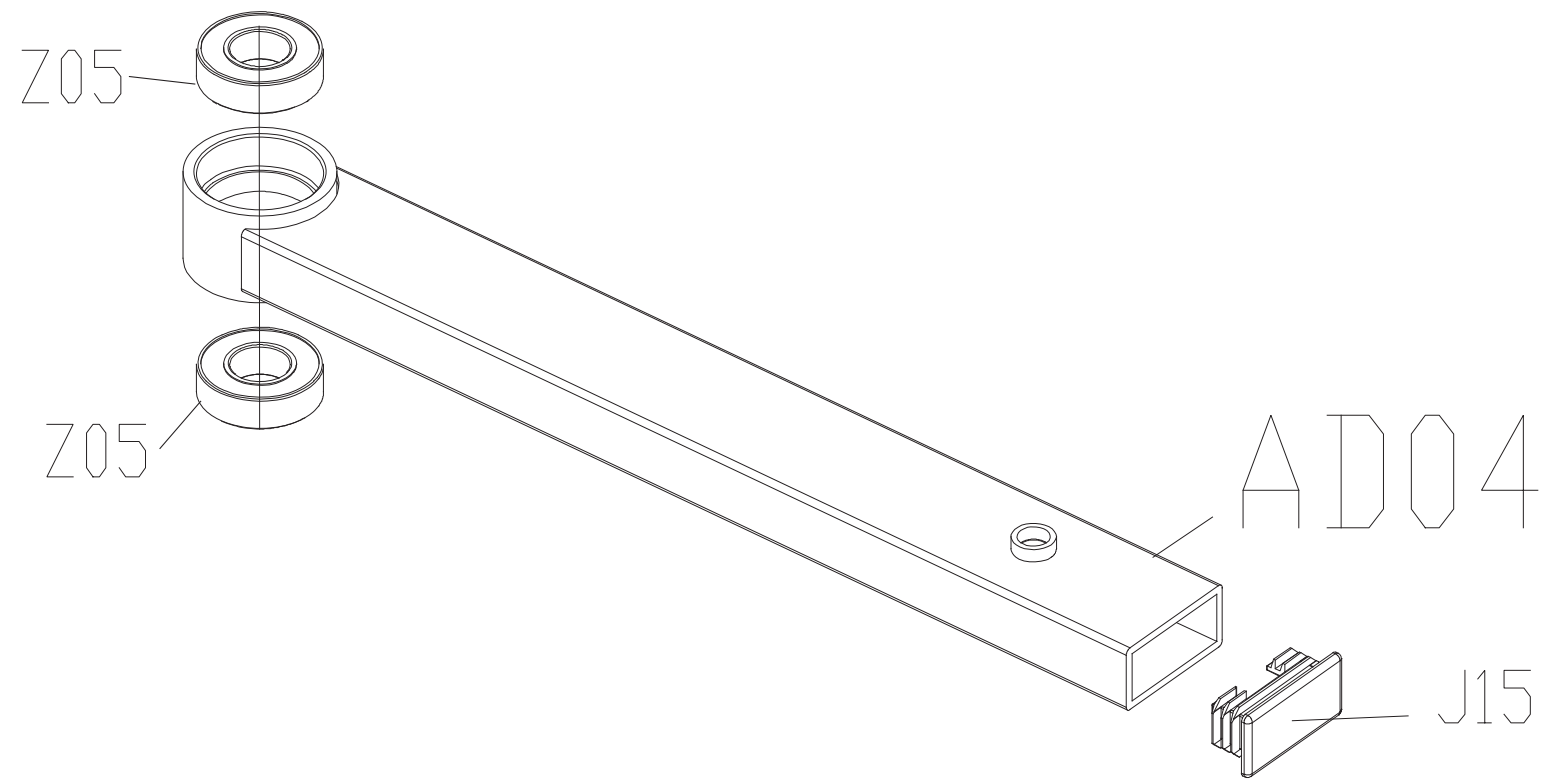
DRAWING NO			
PART NAME	Head Plate		
PART NO	1000207217	REV	A
APPROVE	CINDY	DATE	2012114



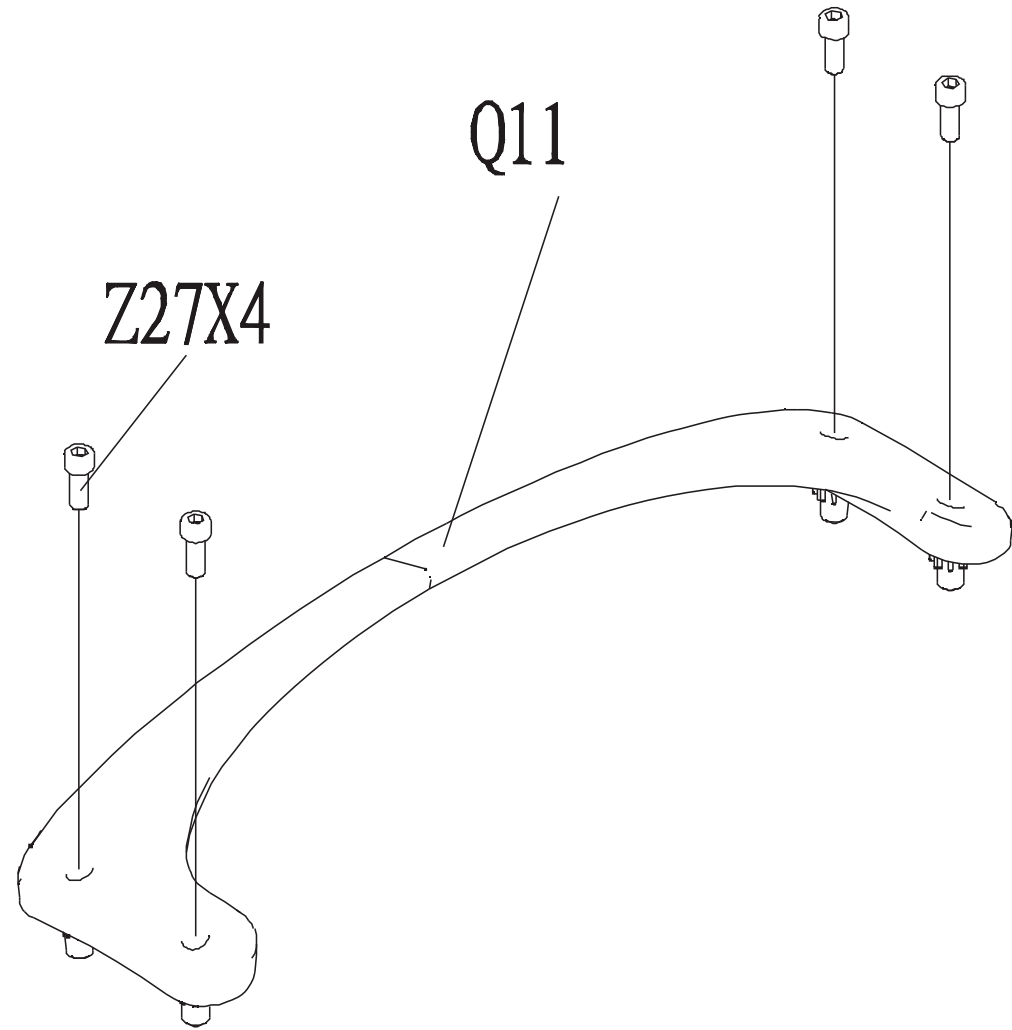
DRAWING NO			
PART NAME	Drive set		
PART NO	1000228378	REV	A
APPROVE	Guibin	DATE	122611



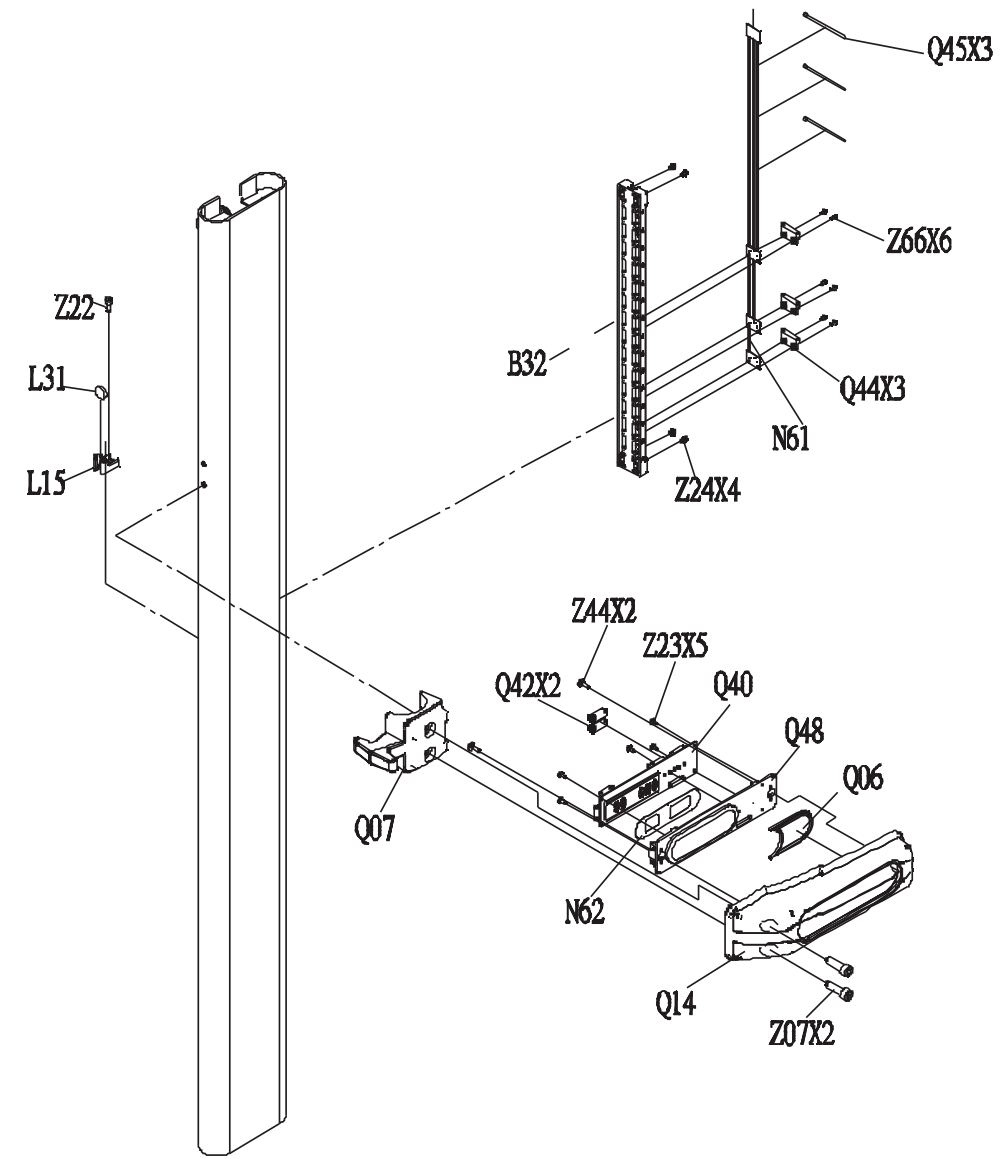
DRAWING NO			
PART NAME	SUPPORT SET		
PART NO	1000228377		
APPROVE	Guibin	DATE	122611



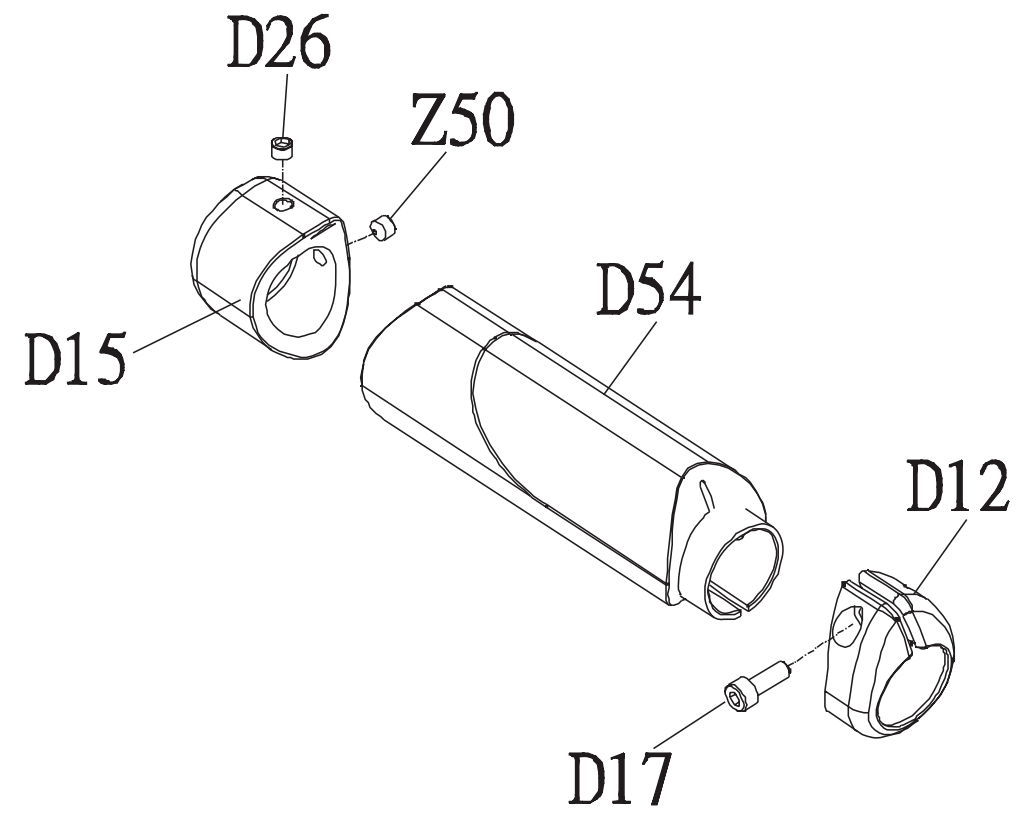
DRAWING NO	
PART NAME	SHIELD SET;U
PART NO	1000220477 <small>REV</small> A
APPROVE	PAUL DATE 20120711



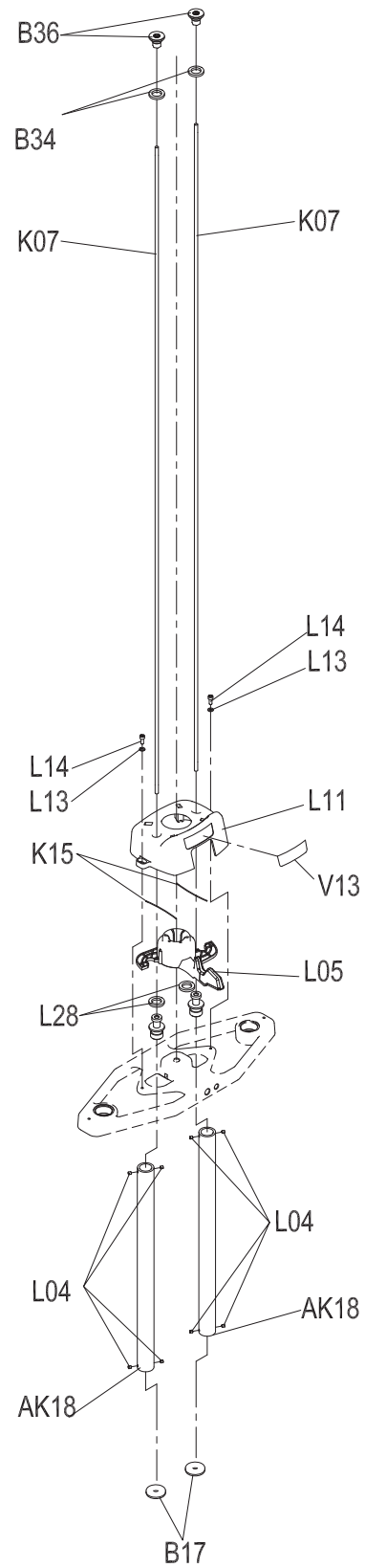
DRAWING NO	
PART NAME	SENSE ORGAN SET
PART NO	1000200250 REV A
APPROVE	JOHN DATE 20120711



DRAWING NO			
PART NAME	Handle set;Arm;GM42		
PART NO	096179 REV A		
APPROVE	JOHN	DATE	20120719



DRAWING NO			
PART NAME	Assistant weight Plate Set		
PART NO	1000113110	REV	A
APPROVE	CINDY	DATE	2012114



Bubble#	OEM Number	Description	Notes
1	1000207217	Wps Superstratum GM59	
10	1000113110	Assistant Weight Plate Set GM59-KM	Kit works with both light and heavy weight plate stacks. // Incremental Weight Plate Set
2	1000228378	DRIVE SET SA - GM69 - -	
3	1000419279	Pedal Arm set Semi-Assy left Iced Sliver	New foot piece design (see exploded diagram). See service bulletin "Pedal Arm Design" before placing order.
3	ZMS4007965	Pedal Arm set Semi-Assy left GM69	Original foot piece design (hover to see part image). See service bulletin "Pedal Arm Design" before placing order.
4	1000228377	SUPPORT SET SA - GM69 - -	New design to be used with new B59 - See service bulletin "Cable Keeper Design Change".
5	1000419272	Pedal Arm set Semi-Assy right Iced Slive	New foot piece design (see exploded diagram). See service bulletin "Pedal Arm Design" before placing order.
5	ZMS4007966	Pedal Arm set Semi-Assy right GM69	Original foot piece design (hover to see part image). See service bulletin "Pedal Arm Design" before placing order.
6	1000220477	PREMIUM - SHIELD SET U GM59 -	
7	1000200250	PREMIUM - REP COUNTER	
8	1000217978	HANDLE SET PREMIUM IINE SA GM69	
9	1000220561	PREMIUM - KIT SA - GM69 - -	Includes all Premium Kit parts (Kits 6-8).
AC1	1000228382	USER FRAME SET SA - GM69 - -	
AD3	1000228376	LINK SET SA - GM69 - -	
AD5	1000228384	DISASSEMBLY CONNECT SET SA - GM69 - -	
AG02	1000228379	DISASSEMBLY CONNECT SET SA - GM69 - -	New design to be used with new B59 - See service bulletin "Cable Keeper Design Change".
AG9	1000228385	PEDAL SET SA - GM69 - -	
AJ4	1000228514	ADJUST SET SA - GM69 - -	
AK13	1000215667	Weight Plate axle sleeve - Extrawork,10LBS GM	10lb Plate
AK14	1000215776	WPS set axle sleeve - Extrawork,15LBS GM	15lb Plate
AK18	1000207211	Wps Set Assistant GM59	

AK21	1000207218	Wps Set Superstratum Paint GM59
AT1	1000218331	HANDLE SET SA - GM69 - -
B06	1000303546	Plastic Pad Foot Pad - PP BL427
B10	1000230611	SUPPORT PLATE WHEEL SPHC CHM GM59
B13	1000112985	Elastomer Weight Plate GM59
B17	1000112984	Elastomer Assistant Weight Plate GM59
B18	1000200252	RUBBER STOPPER - GM59
B25	1000204728	FIXING PLATE ROPE WHEEL SPHC GM59-KM
B27	001529-B	Stopper Bolt Rubber
B32	1000096026	Fixing Base Sensor ABS GM40
B34	1000215843	PLASTIC PLATE FRAME CR -
B35	1000230891	SCREW SET M10X1.5PX65L FLATHEADED HS C
B36	1000215844	Guide Rod fitting, Chromed
B37	1000221624	BLOCK - - PAINTING - - -
B38	004493-00	Screw Hex Socket Round M8x1.25Px16L
B39	004929-00	Nut Nylon M8x1.25P Chromed
B46	1000393987	Sleeve CON Tube painting Iced Sliver G
B49	1000358938	Spring Compression 1.2x12.9x65Lx12N 65
B58	1000102592	Stopper Plate Pulley Painting GM40
B59	1000458585	Stopper Piece Steel Rope SPHC Anti deta
B70	028632-AB	Screw Hex Socket Round M10x1.5Px45L Cr
B71	005144-AC	Washer Flat 10.2X35.0X2.0T Chromed
B72	004516-00	Screw Round Hex Socket M10x1.5Px60L Cr P
B76	1000233200	PLASTIC COVER NBR BL
B81	066651-A	Screw Socket Head M4x0.7Px15L-8L Hex So
B82	0000087483	Screw BH M4X0.7PX35L PH BZN
C09	1000207290	SLEEVE 20 - FIXING PLATE
C26	009371-E	Cap Grip GM03
C27	073573	Pulley 115mm
C33	1000320777	Shaft Cover painting Iced Sliver GM51-
C47	1000205448	PLASTIC COVER - - - GM59
D12	096208	Adjustment Handle Lower Stopper Ring

Kit works with both light and heavy weight plate stacks.

New design - See service bulletin "Cable Keeper Design Change".

D13	1000207485	AXLE, CENTRAL 20 - PEDAL ARM
D15	096209	Cap Grip Peadal Arm ADC12 GM42
D16	008522-C	Washer Swivel Axle SS41 Cr
D17	1000108801	Screw RND M5x0.8Px15L HS CHM BP G8.8
D18	1000207367	AXLE, CENTRAL 20 - SWIVEL ARM(UP/DOWN)
D20	1000091440	Foam Pedal Tube GM51 30.4x5.0x374L
D20	000591-C	Foam Grip 31.8x5.0x105L
D21	009356-B	Stopper Mast Foam AL6061 GM03
D23	1000217980	GRIP - EPDM GM69
D26	020329-00	Set Screw M6X1.0PX12L
D29	1000111351	Handle Adj Grip GM41-KM
D44	009372-E	Cap Grip GM02
E40	029160-AA	End Cap Handlebar
F02	001190-A	90 Pulley, G7-34
F07	049145-AA	Sleeve Rubber
F09	1000217851	ADJ PLATE ADJ PLATE D SPHC CHM GM69
F12	1000207489	STEEL ROPE - - ?X4.8X4259L GM69-KM
F15	1000108806	Screw RND M10x1.5Px15L HS CHM BP G12.9
F16	1000300002	Fixing Cap Guide Rail PP BL/Black C 18x
G03	1000215741	FIXED SET - RD PAINTING - - GM63
H03	1000102675	Stopper Block Pull Pin GM43
H33	1000098705	Bushing 26x20x20L GM41
J15	067941-C	Cap 25x50x3.0T GM20
J20	1000207430	AXLE, CENTRAL S45C CHM PULL PIN
K06	1000113106	Tightwire Fix Pin 45# GM59
K07	1000113102	Guide Rod SUS304 Diam.6X1421.7 GM59
K15	1000204997	Steel Weight Plate Up 1080 Spring Steel
K17	1000202352	Cushion Guide Rod
K33	1000215667	Weight Plate axle sleeve - Extrawork,10LBS GM
K37	1000209625	GUIDE ROD 45 - WEGHT PLATE
K38	1000102915	Circlip E Type E-15 Cr Plate
K42	1000215659	BUSHING GUIDE ROD POM

Foam grip for original foot piece design. See service bulletin "Pedal Arm Design".

Foam grip for new foot piece design. See service bulletin "Pedal Arm Design".

K44	1000102912	Circlip External C Type S-30 BED	
K47	004945-00	Nut Nylon M12x1.75P Chromed	
L04	1000210485	SCREW SET M5X0.8PX6L FLAT POINT HS G8.8	
L05	1000200264	GRIPE ABS+TPR GM59	
L10	1000201802	PULL PIN SET WPS GM62 -	
L11	1000207213	COVER INCREMENTAL WEIGHT ABS - - -	
L13	070571	Washer Flat 5.2X10.0X1.5T CHM	
L14	1000108801	Screw RND M5x0.8Px15L HS CHM BP G8.8	
L15	1000209576	PLASTIC BASE MAGNET ABS FIXING	
L28	1000224913	Cushion Aaw Nbr BI	
L31	1000232864	PERMANENT MAGNET - 1500## ##	
L34	1000108803	Screw RND M5x0.8Px12L HS CHM BP G8.8	
L38	070571	Washer Flat 5.2X10.0X1.5T CHM	
L56	1000210485	SCREW SET M5X0.8PX6L FLAT POINT HS G8.8	
N61	1000229510	WIRE DISPLAY BOARD -- OKI HARBOR 2.5-	
N62	1000096575	Overlay Manipulate GM40	
Not Shown	ZMS4003252	Decal, QR, VS-S74 Hip Add/Abd	
Not Shown	1000217999	HARDWARE SET - GM69 -	
Q01	1000113113	Cover Up ABS GM59	
Q02	1000113114	Cover Front Clarity ABS GM59	
Q03	1000113115	Cover Back Clarity ABS GM59	
Q07	1000209577	PLASTIC BASE REP COUNTER - FIXING	
Q09	1000209593	END CAP ACCENT	
Q12	1000209591	PLASTIC BAR - PVC - LABEL	
Q13	1000303486	Clamp Cover -	
Q25	001402-A	End Cap Round	
Q42	ZMS4001255	Battery, AA for console	
Q44	001679-00	Tie Strap Adhesive Nylon 66 HC-101 W	
Q45	005811-00	Cable Tie Nylon Black 160L	
V01	1000223236	INSTRUCTIONAL LABE FRONT GM69-KM	
V02	1000223237	INSTRUCTIONAL LABE REAR GM69-KM	
V03	1000215718	SPEC LABEL 10 LB WEIGHT PLATE BLACK PC	10lb labels.
V04	1000409123	Direction Label Weight Plate 230lbs/140k	15lb labels.
V05	1000215704	MARKING GM59-KM	

V13	1000221799	DIRECTION LABEL AAW - PC -
V15	1000224396	INSTRUCTIONAL LABE BASE TUBE PC DOWN G
Z01	1000215637	SCREW SPECIAL M8X1.25PX47.8L MT HS G8.8
Z02	1000104707	Screw Hex Socket Round M8x1.5Px125L Adh
Z03	1000207486	SLEEVE 20 - -
Z04	004793-00	Screw Button Head M10X1.5PX15L Hex Sock
Z05	004077-A2	Ball Bearing 6004ZZ 20X42X12T SKF
Z07	098577	SCREW HEX M8X1.25X35L
Z08	1000104691	Screw RND M10x1.5Px30L HS G12.9 CHM BP
Z16	1000387053	Direction Label Seat Adjustable PC G
Z22	1000108803	Screw RND M5x0.8Px12L HS CHM BP G8.8
Z23	020196-A	Screw Phillip BH Tapped 3x6L Zn-BL
Z24	004870-00	Screw Plain Tapping Rail Lock 5x15L
Z25	001530-C	SCREW M10X1.5P BACK PAD SR20 HEAD
Z26	004929-00	Nut Nylon M8x1.25P Chromed
Z27	020081-00	Screw SH M8X1.25PX60L HS G12.9
Z31	1000108805	Screw RND M8x1.25Px20L HS CHM BP G12.9
Z32	009360-D	WASHER GRIP SS41
Z33	004524-AC	Screw SH M10X1.5PX70L HS BZN
Z34	1000105174	Nut Nylon M10x1.5P G12.9 CHM
Z35	063299-A	WASHER SPL M8
Z36	1000386527	Screw Set Screw M10X1.5PX10L Hex Socket
Z37	1000097206	Screw SH M8X1.25PX25L HS CHM BP
Z40	005125-AB	Washer Flat 10.2x20.0x1.0T Chromed
Z41	005047-00	Washer Flat 8.2x20x1.8T Black Zinc
Z42	005145-AC	Washer Flat 8.2x19.0x2.0T Chromed
Z43	1000108796	Screw RND M10x1.5Px55L HS CHM BP G12.9
Z44	1000104672	Screw BH M5x0.8Px10L HS CST CST CST CHM
Z45	020465-AB	Washer Flat M10.2X25PX2.0T Chromed
Z46	004696-AB	Screw TH M8x1.25Px20L Hex Socket Chrom
Z49	1000108806	Screw RND M10x1.5Px15L HS CHM BP G12.9
Z50	004855-AC	Set Screw M6X1.0PX4L
Z55	020307-A	Screw Hex Socket BH M10x1.5Px55L(Tooth25
Z57	004811-A	Screw Umbrella Hex Socket M8x1.25Px15L

Z58	004859-00	Screw Umbrella Hex Scoket M8x1.25Px20L	
Z59	004518-00	Screw SH M10X1.5PX75L HS CHM	
Z61	1000231572	SCREW SH M10X1.5PX20L HS BP CHM	
Z62	004517-00	Screw Hex Socket Round M5X0.8PX30L	
Z63	004938-00	Nut Nylon M6X1.0P Chromed	
Z64	004446-Z	Screw Round Head M4x0.7Px16L Hex Socket	
Z65	020439-00	Washer Flat 6.4X14.0X1.0T Chromed	
Z66	040816-A	Screw Phillip BH Tapped 3x8L	
AD01	Part of Kit 3	PEDAL ARM - L PAINTING - - GM69-KM	
AD02	Part of Kit 5	PEDAL ARM - R PAINTING - - GM69-KM	
AD04	Part of Kit 4	SUPPORT BASE PULLY - - PNT -	
AF01	Part of Kit 2	CAM WELDING SET - - PAINTING - - GM69-KM	
AK21	Part of Kit 1	Wps Set Superstratum Paint GM59	
C18	See Pad Matrix	Leg Pad-SA - GM69-KM - BK	
D54	Part of Kit 8	Grip Pedal Arm wrap rubber GM42-KM	
J16	See Pad Matrix	Seat PAD BL GM49-KM	
J26	See Pad Matrix	BACK PAD MIDDLE PU BLACK -	
J29	See Pad Matrix	Wear Cover	
J73	See Pad Matrix	Wear Cover	
Q06	Part of Kit 7	PLASTIC PAD DISPLAY TPE	
Q11	Part of Kit 6	GRIPEND TOP COVER - - - ADC12	
Q14	Part of Kit 7	PLASTIC BASE COUNTER TPR GM59-KM	
Q40	Part of Kit 7	UCB Matrix GM40 H102S1.60	
Q48	Part of Kit 7	Fixing Base PC GM40	
3	1000228374	PEDAL ARM SET SA L GM69 - -	Discontinued
5	1000228375	PEDAL ARM SET SA R GM69 - -	Discontinued
		FRAME SET SA - GM69 - - \\ D/C - Part will show as	
AB1	1000228381	orderable until stock is depleted.	Discontinued - Not available as a service part
B46	098979	Sleeve CON Dode Peadel Arm 45# GM40	Discontinued
B49	005486-E	Spring SWP GM09	Discontinued
C33	1000091483	Cover Axle SPHC 3.0t GM51	Discontinued
G03	1000226805	FIX SET SA GM63 SERVE	Discontinued
Q13	1000209592	CLAMP COVER TINNEMAN D43806-014 - - -	Discontinued
V04	1000215727	DIRECTION LABEL WEIGHTPLATE#15LBS PC	Discontinued - 15lb labels.

Z25	001530-B	Stopper Bolt Back Pad	Discontinued
Z42	005040-AB	Washer Flat 8.4X15.5X1.6T	Discontinued
Z58	004750-00	Screw Oval Hex Socket M8x1.25Px20L	Discontinued
Z64	004446-00	Screw Round Hex Socket M4X0.7PX16L	Discontinued